

## CONSTANT FORCE FIXING DETAILS

MANUAL

SECTION

DWG. NO.

LWD/1

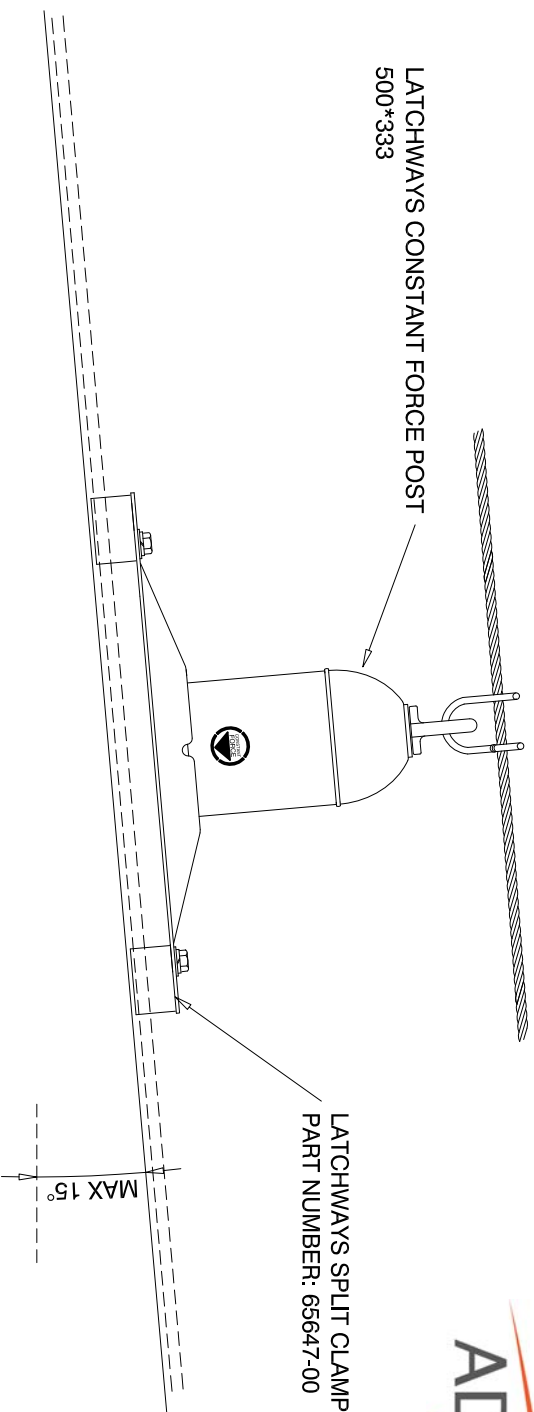
2

21

**ADMMASTER**  
COMPOSITE SUPPORT SYSTEM

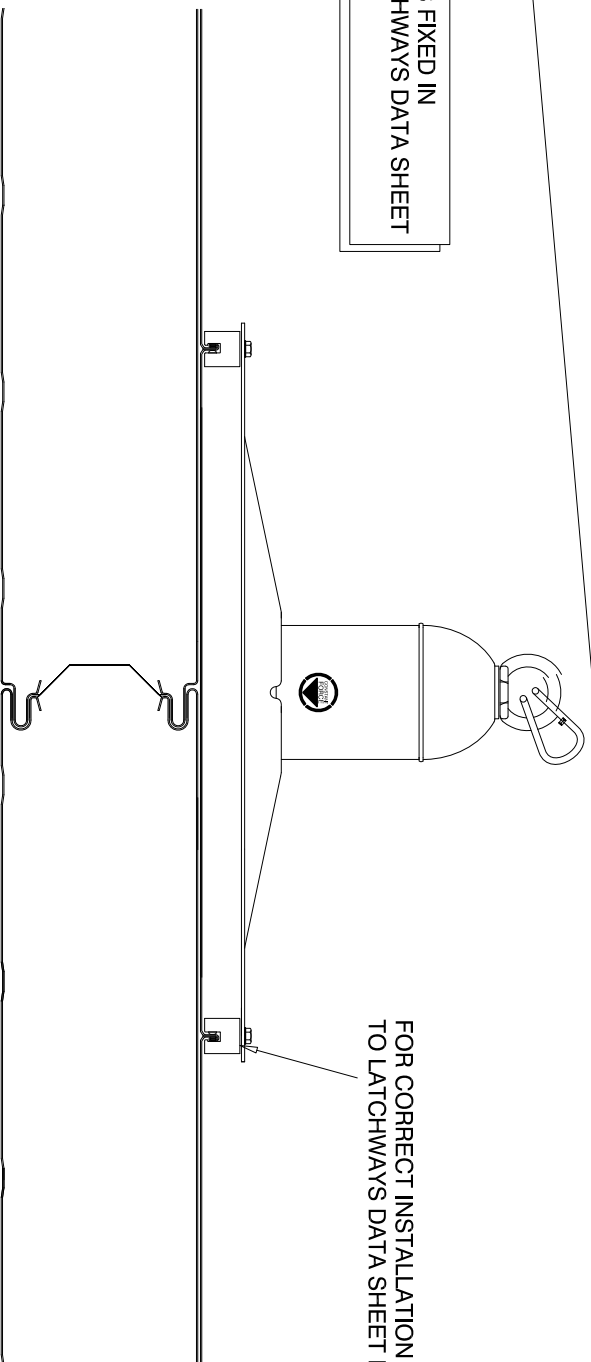
LATCHWAYS CONSTANT FORCE POST  
500\*333

LATCHWAYS SPLIT CLAMP KITS X 4NO. PER POST  
PART NUMBER: 65647-00



CONSTANT FORCE POSTS FIXED IN  
ACCORDANCE WITH LATCHWAYS DATA SHEET  
NO. 65618 (current issue)

FOR CORRECT INSTALLATION OF CLAMP REFER  
TO LATCHWAYS DATA SHEET NO. 65618 (current issue)



**IMPORTANT NOTE: TO BE USED IN RESTRAINT ONLY**

**STD CFP FIXING DETAIL FOR 500MM FOLDED  
SEAM TO ADMMASTER COMPOSITE PANEL**